

Gathering Chain & Idler Sprockets

*These high quality chains have solid rollers and solid pins.



Agco-Gleaner & Challenger

ORDER No.	DESCRIPTION	STOCK	RETAIL
ADA100	Gathering chain, fits 2A, 3E, C240, older heads 62A-53-C7-8. Replaces Agco number 536109.	93527	\$36.27
ADA200	Gathering chain, fits '69 to '72 low profile heads. CA550-C54-C11E-7. Replaces Agco number 561228 or 567135.	97436	\$49.70
ADA400	Gathering chain, fits '77 to '89 "black head" adjustable models. CA550-C57-C17E-7. Replaces Agco number 574793 or 591122	84724	\$39.26
ADA500	Gathering chain, fits all headers after 1990, "Hugger" models & 3000 series. CA550-C50-C17E-6. Replaces Agco number 71505705. Also fits Challenger. On 3000 & Challenger please confirm chain size is CA550 and has 6 lugs.	04423	\$34.87
A70595084	Lower Idler sprocket , 8 tooth, 5/8" bore. Fits all black heads '77 to '89. Replaces Agco number 70595084.	8386	\$11.97
A71359125	Lower Idler sprocket , 8 tooth, 5/8" bore. Fits all hugger heads 1990 and newer. Replaces Agco number 71359125. Also fits Challenger.	08014	\$15.43
AP71391292	Drive Sprocket , heat treated, fits AGCO Gleaner Hugger & 3000 heads and also Challenger.	55116	\$16.50
AP70577247	Drive Sprocket , heat treated, fits AGCO Gleaner Orange & Black heads. (1981-1987)	55114	\$16.50



AP70577247



AP71391292



AAN102448

Case-IH

ORDER No.	DESCRIPTION	STOCK	RETAIL
AIH101	Gathering chain , fits 227, 228, 229, 428, 430, 724, 733, 734, 744, 328N, 329N, 429, 429N, 430N, 327WN, 620N, 630N, 762, 763, 764, 782. CA2060H-C72-C5E-9. Replaces C-IH no. 654164R91.	04347	\$62.00
AJDIH100	Gathering chain , fits all 800, 900, 1000, 2200, 2400 series. CA555-C48-C6E-8. Replaces C-IH no. 176279C91. This chain has chrome pins.	51128	\$26.44
AAN102448	Lower Idler sprocket , 8 tooth, 5/8" bore. Fits all 800, 900, 1000, 2200, and 2400 series. Replaces C-IH no. 176283C91.	7676	\$10.95
AP199497	Drive Sprocket , heat treated Case-IH 900 - 1000 Series. Replaces Case-IH no. 199497C1.	33015	\$14.75
AP86837081	Drive Sprocket , heat treated, fits Case-New Holland 2200 & 2400 series. 7 tooth for CA555 chain.	04515	\$22.00

Massey Ferguson



ORDER No.	DESCRIPTION	STOCK	RETAIL
AMF100	Gathering chain, fits all Massey heads except 9400 series. CA2060H-64-C6E-8. Replaces MF no. 241090M91.	40146	\$58.63
AWH100	Gathering chain, fits all Massey 9400 series s/n 47000 and up. CA550-E49-C11E-8. Replaces MF no. 1689933W91.	12932	\$56.01
ADA500	Gathering chain, fits model 3000. CA550-C50-C17E-6. Replaces MF no. 71505705.	13223	\$31.87
A263282M1	Lower idler sprocket , 8 tooth, 1/2" bore. Fits most early model heads. Replaces MF no. 263282M1.	47219	\$18.20
A844076M1	Lower idler sprocket , 8 tooth, 5/8" bore. Fits late model 1100 series heads. Replaces MF no. 844076M2.	38315	\$19.75

New Idea

ORDER No.	DESCRIPTION	STOCK	RETAIL
ANI100	Gathering chain, fits 720, 730, & 740 series. CA550-67-C12E-11. Replaces NI no. 713167 or 713168L.	53747	\$67.64
ANI200	Gathering chain, fits 800 series. CA550-52-C12E-8. Replaces NI no. 745072.	70246	\$60.10
ANI300	Gathering chain, fits 324, 325, 720, and 730 series. CA550-31-C12E-5. Replaces NI no. 305347.	63525	\$36.23
ANI400	Gathering chain, fits 319, 324, 325, 720, and 730 series. CA550-26-C12E-6. Replaces NI no. 305617.	48644	\$66.92
ANI500	Gathering chain, fits 6500 series. CA550-60-C11E. Replaces NI no. 746608.	54563	\$93.50
A70595084	Lower idler sprocket , 8 tooth, 5/8" bore. Fits 800 & 6500 series. Replaces NI no. 745023.	8386	\$11.97



AAN102448

New Holland

ORDER No.	DESCRIPTION	STOCK	RETAIL
ANH100	Gathering chain, fits 962 headers that use CA555 chain and 10 gathering lugs, 1977 and later. CA555-E60-C5E-100. Replaces NH no. 254296 or 9613277	42045	\$57.49
ANH200	Gathering chain, fits 962 series with CA2060H chain and 8 lugs, 1977 and earlier. CA2060H-C-64-C6E-8. Replaces NH no. 262179	51844	\$68.78
AJDIH100	Gathering chain, fits all 974 series. CA555-C48-C6E-8. Replaces NH no. 610831 or 9613277	51128	\$26.44
AAN102448	Lower Idler sprocket , 8 tooth, 5/8" bore. Fits all 974 series. Replaces NH no. 573399	7676	\$10.95

White Farm Equipment/Oliver

ORDER NO.	DESCRIPTION	STOCK	RETAIL
AWH100	Gathering chain, Fits 700 series s/n 47001 and up. Replaces WFE no. 31-1689933 or 1689933W1	12932	\$56.01
AWH200	Gathering chain, Fits 700 ser. s/n 47000 and lower. CA550-48-C17E-8. Replaces WFE no. 31-1572073	55931	\$56.50
AMM100	Gathering chain, Fits Oliver and Minn. Moline 500 series & H900 series. CA550-67-C13E11 Replaces 511142E (Moline #)	80743	\$67.26
A311572060	Lower idler sprocket , 8 tooth, 5/8" bore. Fits 700 (s/n 47000 & lower). Replaces WFE no. 31-1572060	08618	\$24.00

John Deere Cornhead Parts

ORDER NO.	DESCRIPTION	STOCK	RETAIL
AJD600	Gathering chain , fits all 600 series heads. Replace JD no. AH208978.	03846	\$69.00
AJDIH100	Gathering chain , fits all 40 and 90 series. CA555-C48-C6E-8. (<i>end-less chain</i>) Replaces JD no. AN102009.	51128	\$26.44
AAN102448	Lower Idler sprocket , 8 tooth, 5/8" bore, sealed bearing. Fits all 40 series to s/n 466450, also fits 235, 335, 435, and 635. Replaces JD no. AN102448.	7676	\$10.95
AH101219	Lower Idler sprocket , 8 tooth, 5/8" bore, relube bearing. Fits all 40 series after s/n 466451, also fits all 90 series. Replaces JD no. AH101219.	7388	\$11.95
IB583PB	Plow bolt for Idler sprockets AAN102448 & AH101219, grade 5.	245	\$.60 ea.
AP85252	Drive Sprocket , heat treated, 8 tooth, fits John Deere 40 & 90 series.	86018	\$15.25
AP231386	Idler Sprocket , fits all 600 series. Replaces JD no. AH231386.	81916	\$29.50
AP233287	Drive Sprocket , heat treated, fits JD 600 series heads. Replaces JD no. H233287.	30526	\$38.50



AP85252



AP233287



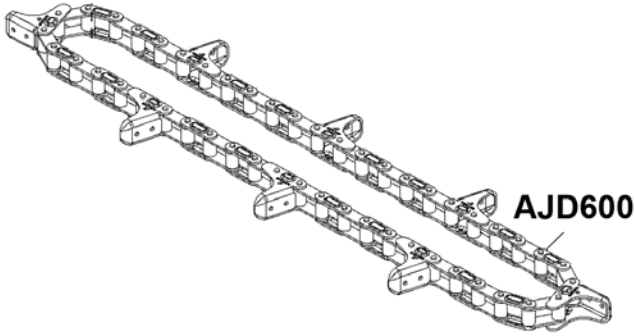
AAN102448



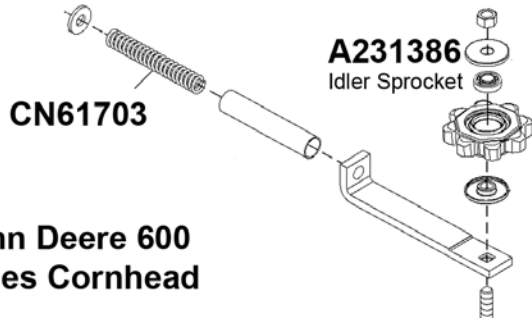
AA231386



AP233287
Drive Sprocket



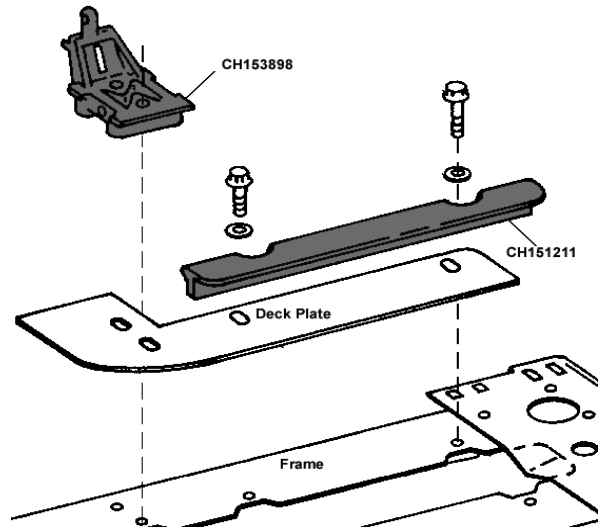
AJD600



CN61703

A231386
Idler Sprocket

**John Deere 600
Series Cornhead**



John Deere 90 series corn head.

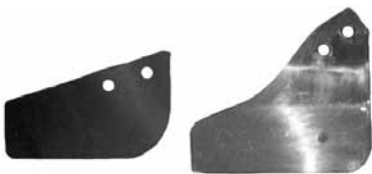
Special note: Replacing the lower idler support will help reduce the wear on gathering chains. Experts recommend changing the idler support every 2nd time you replace the chains.

ORDER NO.	DESCRIPTION	STOCK	RETAIL
CH84479	Lower idler support for 40 series heads, cast. Replaces John Deere number H84479.	59216	\$18.50
CH153898	Lower idler support for 90 series heads, cast. Replaces John Deere number H153898.	03311	\$19.00
CH151211	Gathering chain guide for 90 series heads, cast. Replaces John Deere numbers H151211 & H146158.	03315	\$19.00
CN61703	Tension spring for lower idler sprocket. Fits all 40, 90, and 600 series. Replaces JD number N61703.	7725	\$3.95



CH84479

Ear Savers for JD Corn Heads



ORDER NO.	DESCRIPTION	STOCK	RETAIL
CF166582	Ear saver for all 40 series corn heads. Replaces JD no's H101988, H166582.	7035	\$4.38
CF148222	Ear saver for early 90 series corn heads. Replaces JD no's H14822.	7034	\$4.38

Our earsavers are made of a black, soft, rubber like plastic for longer wear.

Cornhead Gathering Chain Drive Sprockets

ORDER NO.	DESCRIPTION	STOCK	RETAIL
AP199497	Drive Sprocket, heat treated Case-IH 900 - 1000 Series. Replaces Case-IH no. 199497C1.	33015	\$14.75
AP86837081	Drive Sprocket, heat treated, fits Case-New Holland 2200 series. 7 tooth for CA555 chain.	04515	\$22.00
AP85252	Drive Sprocket, heat treated, 8 tooth, fits John Deere 40 & 90 series.	86018	\$15.25
AP71391292	Drive Sprocket, heat treated, fits AGCO Gleaner Hugger heads.	55116	\$16.50
AP70577247	Drive Sprocket, heat treated, fits AGCO Gleaner Orange & Black heads. (1981-1987)	55114	\$16.50



AP85252



AP70577247



AP71391292



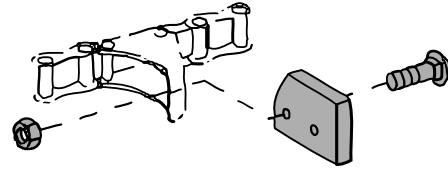
AAN102448

Cornhead Gathering Chain Idler Sprockets

ORDER NO.	DESCRIPTION	STOCK	RETAIL
AAN102448	AN102448 (JD) 176283C91 (IH) 573399 (NH) Lower Idler sprocket , 8 tooth, 5/8" bore, sealed bearing. Fits all John Deere 40 series to s/n 466450, also fits 235, 335, 435, and 635. Also fits all Case-IH 800, 900, & 1000 series and New Holland 974 series.	7676	\$10.95
AH101219	AH101219 (JD) Lower Idler sprocket , 8 tooth, 5/8" bore, relube bearing. Fits all John Deere 40 series after s/n 466451, also fits all 90 series.	7388	\$11.95
A263282M1	263282M1 (MF) Lower idler sprocket , 8 tooth, 1/2" bore. Fits most Massey early model heads.	47219	\$18.20
A844076M1	844076M2 (MF) Lower idler sprocket , 8 tooth, 5/8" bore. Fits late model Massey 1100 series heads.	38315	\$19.75
A70595084	70595084 (Agco) 745023 (NI) Lower Idler sprocket , 8 tooth, 5/8" bore. Fits all AGCO black heads '77 to '89 and NI 800 & 6500 series.	8386	\$11.97
A71359125	71359125 (Agco) Lower Idler sprocket , 8 tooth, 5/8" bore. Fits all AGCO hugger heads 1990 and newer.	08014	\$15.43
A311572060	31-1572060 (WF) Lower idler sprocket , 8 tooth, 5/8" bore. Fits White 700 (s/n 47000 & lower).	08618	\$24.00

Gathering Chain Paddle Kit

This kit replaces John Deere number H201762. Poly paddles extend the length of existing cornhead gathering chain paddles to help feed in down corn and hard to feed corn.



ORDER NO.	DESCRIPTION	STOCK	RETAIL
KH201762	Chain paddle kit - 2 rows. <i>Kit includes 32 paddles, hardware, and instructions. For John Deere 40 & 90 series only.</i>	00537	\$50.00

Repair Links for Gathering Chain

ORDER NO.	DESCRIPTION	STOCK	RETAIL
A550C	Connecting link for 550 chain.	5716	\$2.50
A550O	Offset link for 550 chain.	0126	\$3.00
A555C	Connecting link for 555 chain.	5717	\$2.50
A555O	Offset link for 555 chain.	0126	\$3.00

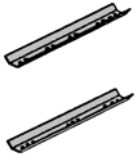
Snapping Rolls and Snapping Roll Flutes

Case-IH



ORDER NO.	OEM NUMBER	DESCRIPTION	STOCK	RETAIL
K800A	176304C2	Snapping roll flute, for 800 series head.	60015	\$14.37
K900	1327126C1	Snapping roll flute, for 900 and 1000 series.	60015	\$14.37

Agco-Gleaner & Challenger



ORDER NO.	OEM NUMBER	DESCRIPTION	STOCK	RETAIL
KAC100	70586591	Snapping roll flute, orange heads 1972-76, also black heads 1977 & up adjustable row.	18115	\$16.87
KHC110	71351081	Snapping roll flute, fits 1988 and later hugger, 3000 and Challenger. 3 used per roll.	51216	\$17.36

New Holland



ORDER NO.	OEM NUMBER	DESCRIPTION	STOCK	RETAIL
KNH300R	703415	Snapping roll flute, RH, fits all 962 heads.	52618	\$23.21
KNH300L	703414	Snapping roll flute, LH, fits all 962 heads.	52617	\$23.21

New Idea



ORDER NO.	OEM NUMBER	DESCRIPTION	STOCK	RETAIL
K745057	745057	Snapping roll flute, fits all 800 series. 3/roll.	57315	\$19.64

Repair Parts for CFC Snouts

ORDER NO.	DESCRIPTION	STOCK	RETAIL
CFPP	Poly snout point - fits all CFC snouts.	05019	\$15.00
CF069	Skid Shoe, Fits IH Wide row center snout, CFC Gleaner snout.	4484	\$12.06
CF070	Skid Shoe, Fits IH narrow center snout, CFC Gleaner outside.	7773	\$11.11
CF068	Skid Shoe, Fits IH outside snouts.	3375	\$10.48
CF9578	Skid Shoe, Fits all CFC John Deere Snouts.	4486	\$12.06