

# Stalk Stompers



- Level corn stalks and bean stubble ahead of expensive combine tires.
- Comes with down pressure spring and poly skid pad.
- Buy 4-5 sets of Stalk Stompers for the price of an average combine tire.



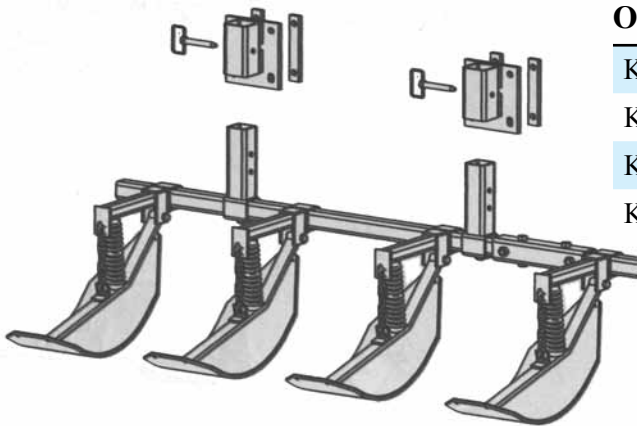
*All of our stock stompers include the poly pad already mounted to the skid, other companies charge extra for this.*

## Case-IH

ORDER NO.	DESCRIPTION	STOCK	RETAIL
81068	Stalk stomper set for 900-1000 series corn head.	000822	\$350.00
81344	Stalk stomper set for 1020 grain platform.	000046	\$500.00
82257	Stalk stomper set for Case-New Holland 2200, NH 98C, CNH 2400.	000821	\$350.00

## Challenger and Agco

ORDER NO.	DESCRIPTION	STOCK	RETAIL
82705	Stalk stomper pair with poly pad, the use of a bar kit is required, see below.	000824	\$350.00



ORDER NO.	DESCRIPTION	STOCK	RETAIL
K41675R2	Bar Kit for 2 rows.	013035	\$433.00
K41675R4	Bar Kit for 4 or 6 rows.	063134	\$448.00
K41675R8	Bar Kit for 8 rows.	038938	\$569.00
K41675R12	Bar Kit for 12 rows.	035047	\$579.00

## Gleaner

ORDER NO.	DESCRIPTION	STOCK	RETAIL
81085	Stalk stomper for cornheads with black frames.	000832	\$475.00
81084	Stalk stomper for "Hugger" cornheads.	000832	\$475.00
81344	Stalk stomper set for 300/500/800 series grain platforms.	000046	\$500.00

*Stock Stompers with "\*" beside it will be drop-shipped from May-Wes and will be subject to additional freight.*

## New Holland

ORDER NO.	DESCRIPTION	STOCK	RETAIL
81082*	Stalk stomper set for model 974.	000832	\$475.00
82044*	Stalk stomper set for model 996.	000832	\$475.00
82257	Stalk stomper set for Case-New Holland 2200, 2400, NH 98C.	000826	\$350.00

## Geringhoff/North Star

ORDER NO.	DESCRIPTION	STOCK	RETAIL
82705	Stalk stomper pair with poly pad, the use of a bar kit is required, see below.	000824	\$350.00



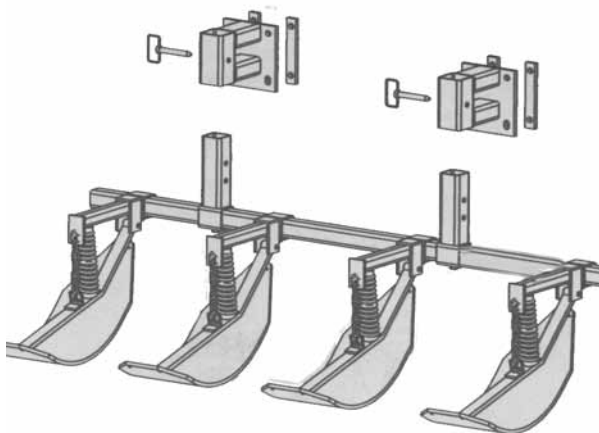
ORDER NO.	DESCRIPTION	STOCK	RETAIL
K41572R2	Bar Kit for 2, 4, or 6 rows.	003025	\$290.00
K41572R8	Bar Kit for 8 rows.	003725	\$390.00
K41572R12	Bar Kit for 12 rows.	030031	\$429.00

## John Deere

ORDER NO.	DESCRIPTION	STOCK	RETAIL
81087	Stalk stomper, 40 series heads.	000032	\$375.00
80121	Stalk stomper, 90 series poly head.	000036	\$375.00
81344	Stalk stomper set for 200/900 grain platform.	000046	\$500.00

## John Deere 600 Series

ORDER NO.	DESCRIPTION	STOCK	RETAIL
82705	Stalk stomper pair with poly pad, the use of a bar kit is required, see below.	000824	\$350.00



ORDER NO.	DESCRIPTION	STOCK	RETAIL
K41664R2	Bar Kit for 2 rows.	079235	\$471.00
K41664R4	Bar Kit for 4 or 6 rows.	020431	\$486.00
K41664R8	Bar Kit for 8 rows.	571248	\$602.50
K41664R12	Bar Kit for 12 rows.	007242	\$610.00

## Replacement Parts for Stalk Stompers

ORDER NO.	DESCRIPTION	STOCK	RETAIL
40012	Poly cover for most corn heads. 9" x 28" (priced as pair)	03435	\$49.00
40189	Poly cover for most flex heads. 9" x 20" (priced as pair)	09236	\$47.00
40649	Replacement spring for stalk stompers	02112	\$16.00

## Stalk Stompers Bulk Discount Program

This program is available from June 1 to September 15th only.

**Purchase 5 or more stalk stompers kits and receive a 10% discount. Available only on part numbers 81068, 82257, 81087, 82705, and 80121.** Normal CFC freight policy applies.

## Reel Arm Repairs

ORDER NO.	DESCRIPTION	STOCK	RETAIL
FC6106	Reel arm, for reels with wood bats or CFC reels that were converted from wood bat reels. Also fits John Deere reels with tear drop bats.	8636	\$5.26
FC6103	U-bolt, attaches bearing to arm on wood bat reels and some tear drop reels.	065	\$1.20
FC6105	Bearing base (bottom), used on wood bat reels and some tear drop reels.	586	\$1.70
FC6104	Bearing cap (top), used on wood bat reels and some tear drop reels.	865	\$1.35
HC243736	Pipe reel bearing to fit HCC OEM pipe reel on John Deere, Case-IH, New Holland, and Agco. <i>(Includes both halves, does NOT fit CFC pipe reel)</i>	0128	\$3.00
HC481776	Bearing strap used with HC243736.	1224	\$3.16
HC481775	Reel Arm used on OEM pipe reels.	0891	\$14.00



FC6103, FC6105, FC6104

