

Seats for Tractors and Combines

ORDER No.	DESCRIPTION	STOCK	RETAIL
JD5560	4 Piece Seat Set - Replaces JD TY15834	529418	\$199.00

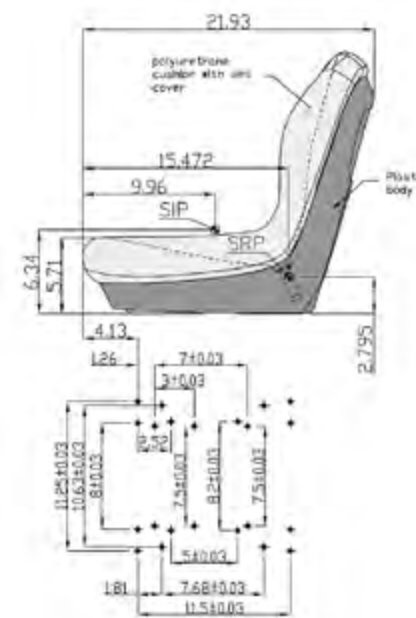
Weight: 29 lbs.

FITS TRACTOR MODELS: 20 and 30 series and 4040, 4240, 4440, 4640, 4840, 4050, 4250, 4450, 4650, 4850 tractors with ROPS, 4055, 4255, 4455, 4555, 4755, 4955, tractors without Sound Guard body, 2320, 2420 windrowers with cab.

- * High Density Foam
- * All Steel Backed
- * Heavy Vinyl Cover
- * John Deere Yellow



ORDER No.	DESCRIPTION	STOCK	RETAIL
JDNCP070	Seat to fit Gator, yellow vinyl.	02590	\$119.00



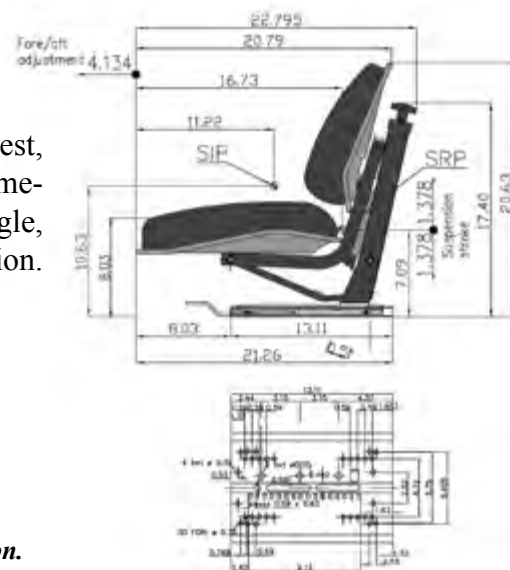
Universal Seats

ORDER No.	DESCRIPTION	STOCK	RETAIL
AMA300002	Universal seat.	999519	\$199.99



Universal seat, trapezoid shape back rest, steel frame, heavy duty hydraulic mechanical suspension, dual mounting angle, multiple mounting hole configuration.

This seat is shipped from an alternate location.



Universal Seats

ORDER No.	DESCRIPTION	STOCK	RETAIL
AMAINI0631W	Universal seat.	008016	\$135.00



Foam seat molded over a tubular frame with arm rests and slides.

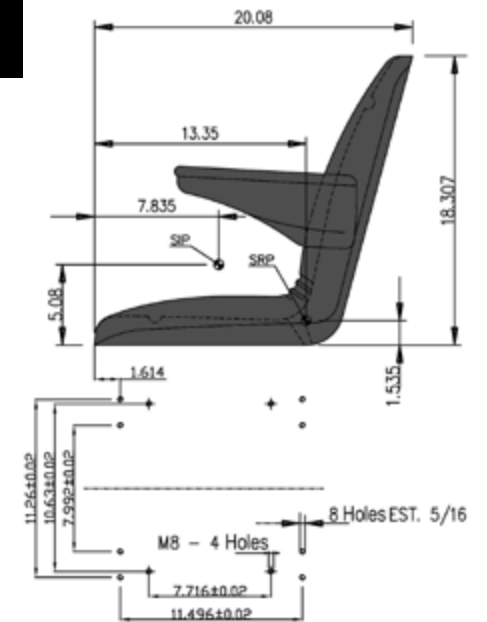
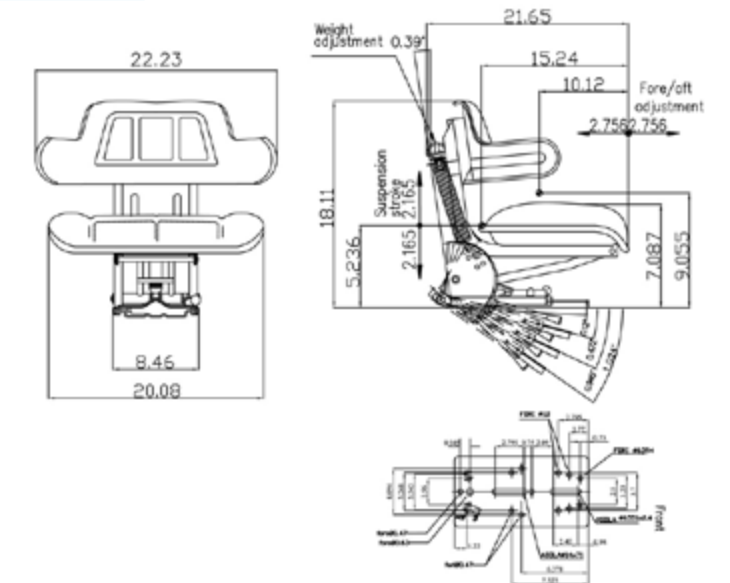
This seat is shipped from an alternate location.

ORDER No.	DESCRIPTION	STOCK	RETAIL
AMA300RM	Universal seat.	99972	\$99.99



Wrap around seat, mechanical suspension, five mounting angles, multiple mounting hole configurations, black vinyl, steel frame.

This seat is shipped from an alternate location.



Rock Picker

Our Rock picker is designed to modify existing tractor buckets into a rock picker. No need to buy a different bucket, these simply bolt-on to the existing bucket. A standard 6' wide bucket can utilize four of these 18", 3 prong sections. The prongs are spaced 4" apart to allow for dirt to fall between them while not dropping the rock.

ORDER No.	DESCRIPTION	STOCK	RETAIL
RP1	Rock Picker 3 prong section.	021912	\$239.00

