

Cornhead Parts

*These high quality chains have solid rollers and solid pins.

Agco-Gleaner & Challenger

Gathering Chain



ORDER NO.	DESCRIPTION	STOCK	RETAIL
ADA100	Gathering chain, fits 2A, 3E, C240, older heads 62A-53-C7-8. Replaces Agco number 536109.	93527	\$36.27
ADA200	Gathering chain, fits '69 to '72 low profile heads. CA550-C54-C11E-7. Replaces Agco number 561228 or 567135.	97436	\$49.70
ADA400	Gathering chain, fits '77 to '89 "black head" adjustable models. CA550-C57-C17E-7. Replaces Agco number 574793 or 591122	51134	\$44.50
ADA500	Gathering chain, fits all headers after 1990, "Hugger" models & 3000 series. CA550-C50-C17E-6. Replaces Agco number 71505705. Also fits Challenger. On 3000 & Challenger please confirm chain size is CA550 and has 6 lugs.	04923	\$42.00

Sprockets for Gathering Chain



ORDER NO.	DESCRIPTION	STOCK	RETAIL
A70595084	Lower Idler sprocket , 8 tooth, 5/8" bore. Fits all black heads '77 to '89. Replaces Agco number 70595084.	05016	\$15.00
A71359125	Lower Idler sprocket , 8 tooth, 5/8" bore. Fits all hugger heads 1990 and newer. Replaces Agco number 71359125. Also fits Challenger.	02114	\$16.00
AP71432138	Drive Sprocket , heat treated, fits AGCO Gleaner Hugger & 3000 heads and also Challenger. Replaces AGCO 71432138 & 71391292.	55116	\$16.50
AP70577247	Drive Sprocket , heat treated, fits AGCO Gleaner Orange & Black heads. (1981-1987) Replaces AGCO no. 70577247.	56314	\$19.50

Snapping Roll Knives and other Cornhead Parts



ORDER NO.	DESCRIPTION	STOCK	RETAIL
KAC100	Snapping roll flute, orange heads 1972-76, also black heads 1977 & up adjustable row. Replaces Agco no. 70586591.	57515	\$22.50
KHC110	Snapping roll flute, fits 1988 and later hugger, 3000 and Challenger. 3 used per roll. Replaces Agco no. 71351081.	51216	\$17.36

Case-IH

Gathering Chain



ORDER No.	DESCRIPTION	STOCK	RETAIL
AJDIH100	Gathering chain , fits all 800, 900, 1000, 2200, 2400 series. CA555-C48-C6E-8. Replaces C-IH no. 176279C91. This chain has chrome pins.	83128	\$28.50

Sprockets for Gathering Chain



AP199497

ORDER No.	DESCRIPTION	STOCK	RETAIL
AAN102448	Lower Idler sprocket , 8 tooth, 5/8" bore. Fits all 800, 900, 1000, 2200, and 2400 series. Replaces C-IH no. 176283C91.	7676	\$10.95
AP199497	Drive Sprocket , heat treated Case-IH 900 - 1000 Series. Replaces Case-IH no. 199497C1.	33015	\$14.75
AP86837081	Drive Sprocket , heat treated, fits Case-New Holland 2200 & 2400 series. 7 tooth for CA555 chain.	04515	\$22.00

Snapping Roll Knives and other Cornhead Parts

ORDER No.	DESCRIPTION	STOCK	RETAIL
K800A	Snapping roll knife to fit CIH 800 series heads. Replaces CIH no. 176304C2. Heat treated, tungsten carbide. (Has 3 sets of 2 holes).	12415	\$20.30
K900	Snapping roll knife to fit CIH 900 & 1000 series heads. Replaces CIH no. 1327126C1. Heat treated, tungsten carbide.	12415	\$20.30
K322591950	Snapping roll knife to fit CIH 2600 series. Heat treated.	01035	\$43.00
K87598741	Snapping roll knife to fit CIH 3000 series. Heat treated.	54325	\$33.50



K322591950



K87598741



K900

Geringhoff

ORDER No.	DESCRIPTION	STOCK	RETAIL
AGH100	Gathering chain , Roto-Disc 30" through 40" rows; NorthStar 30" through 40" rows; MS Cornstar 30" through 40" rows. Replaces Geringhoff no. 034851.	79848	\$69.95



ORDER No.	DESCRIPTION	STOCK	RETAIL
A032012GH	Lower Idler sprocket , 17 tooth. For heads with 30" rows. Replaces Geringhoff no. 032012.	03723	\$39.00
K501060	Cutting disc to fit Geringhoff Rota disc cutting system. 15 used per shaft. Replaces Geringhoff no. 501060.	54321	\$33.50
K502351	Snapping Roll knife to fit Geringhoff North Star corn heads. Replaces Ger. No. 502351. Heat treated tungsten.	29135	\$45.60

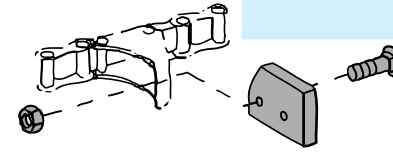
John Deere

Gathering Chain



ORDER No.	DESCRIPTION	STOCK	RETAIL
AJD600	Gathering chain , fits 600 (except 643 and 693) series heads. Replace JD no. AH208978.	03846	\$69.00
AJDIH100	Gathering chain , fits all 40 and 90 series. CA555-C48-C6E-8. (<i>end-less chain</i>) Replaces JD no. AN102009. This chain has chrome pins.	83128	\$28.50

KH201762	Chain paddle kit - 2 rows. <i>This kit replaces John Deere number H201762. Poly paddles extend the length of existing cornhead gathering chain paddles to help feed in down corn and hard to feed corn.</i>	00537	\$50.00
----------	---	-------	---------



Kit includes 32 paddles, hardware, and instructions. For John Deere 40 & 90 series only.

Sprockets for Gathering Chain

ORDER No.	DESCRIPTION	STOCK	RETAIL
AAN102448	Lower Idler sprocket , 8 tooth, 5/8" bore, sealed bearing. Fits all 40 series to s/n 466450, also fits 235, 335, 435, and 635. Replaces JD no. AN102448.	7676	\$10.95
AH101219	Lower Idler sprocket , 8 tooth, 5/8" bore, relube bearing. Fits all 40 series after s/n 466451, also fits all 90 series. Replaces JD no. AH101219.	7388	\$11.95
IB583PB	Plow bolt for Idler sprockets AAN102448 & AH101219, grade 5.	245	\$.60 ea.
AP85252	Drive Sprocket , heat treated, 8 tooth, fits John Deere 40 & 90 series.	78118	\$16.95
AP231386	Idler Sprocket , fits all 600 series. Replaces JD no. AH231386.	81916	\$29.50
AP233287	Drive Sprocket , heat treated, fits JD 600 series heads. Replaces JD no. H233287.	30526	\$38.50
AP6T	Drive Sprocket for John Deere 40 and 90 series, 6 teeth instead of 8. Hex bore. Used in conjunction with AH9T to slow down the gathering chain speed.	55113	\$16.50
AH9T	Idler sprocket for John Deere 40 and 90 series, 9 teeth instead of 8. Used in conjunction with AP6T to slow down the gathering chain speed.	03315	\$19.00

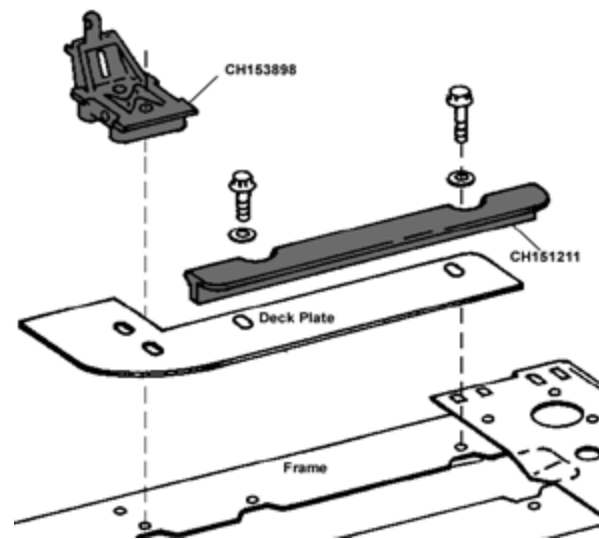


Other cornhead parts for JD

ORDER NO.	DESCRIPTION	STOCK	RETAIL
CH84479	Lower idler support for 40 series heads, cast. Replaces John Deere number H84479.	59216	\$18.50
CH153898	Lower idler support for 90 series heads, cast. Replaces John Deere number H153898.	03311	\$19.00
CH151211	Gathering chain guide for 90 series heads, cast. Replaces John Deere numbers H151211 & H146158.	03315	\$19.00
CN61703	Tension spring for lower idler sprocket. Fits all 40, 90, and 600 series. Replaces JD number N61703.	7725	\$3.95
CH952	Deck plate to fit 40 series heads with s/n 466451 and later. Replaces JD number H94952.	04518	\$22.00
CH270	Deckplate, hardfaced. Fits right and left hand on 90 series heads with manually adjusted deckplates. Also fits right hand on 90 series heads with hydraulically adjusted deckplates. Replaces JD no.'s H149176, H154270.	04226	\$32.00
CH773	Deckplate, adjustable, hardfaced to fit Left Hand on 90 series heads with hydraulically adjusted deckplates. Replaces JD no. H147773.	08156	\$74.00



CH773



John Deere 90 series corn head.

Special note: Replacing the lower idler support will help reduce the wear on gathering chains. Experts recommend changing the idler support every 2nd time you replace the chains.

CH84479



Massey Ferguson

Gathering Chain



ORDER NO.	DESCRIPTION	STOCK	RETAIL
AMF100	Gathering chain, fits all Massey heads except 9400 series. CA2060H-64-C6E-8. Replaces MF no. 241090M91.	40146	\$58.63
AWH100	Gathering chain, fits all Massey 9400 series s/n 47000 and up. CA550-E49-C11E-8. Replaces MF no. 1689933W91.	98552	\$79.84
ADA500	Gathering chain, fits model 3000. CA550-C50-C17E-6. Replaces MF no. 71505705.	04923	\$42.00

Sprockets for Gathering Chain

ORDER NO.	DESCRIPTION	STOCK	RETAIL
A263282M1	Lower idler sprocket , 8 tooth, 1/2" bore. Fits most early model heads. Replaces MF no. 263282M1.	56029	\$29.50
A844076M1	Lower idler sprocket , 8 tooth, 5/8" bore. Fits late model 1100 series heads. Replaces MF no. 844076M2.	46425	\$35.20

New Holland

Gathering Chain

ORDER NO.	DESCRIPTION	STOCK	RETAIL
AJDIH100	Gathering chain, fits all 974 series. CA555-C48-C6E-8. Replaces NH no. 610831 or 9613277. This chain has chrome pins.	83128	\$28.50

Sprockets for Gathering Chain



ORDER NO.	DESCRIPTION	STOCK	RETAIL
AAN102448	Lower Idler sprocket , 8 tooth, 5/8" bore. Fits all 974 series. Replaces NH no. 573399	7676	\$10.95

Snapping Roll Knives and other Cornhead Parts



ORDER NO.	DESCRIPTION	STOCK	RETAIL
KNH300R	Snapping roll flute, RH, fits all 962 heads. Replaces NH no. 703415.	39318	\$19.90
KNH300L	Snapping roll flute, LH, fits all 962 heads. Replaces NH no. 703414.	39317	\$19.90

New Idea

Gathering Chain

ORDER NO.	DESCRIPTION	STOCK	RETAIL
ANI100	Gathering chain, fits 720, 730, & 740 series. CA550-67-C12E-11. Replaces NI no. 713167 or 713168L.	53747	\$67.64
ANI200	Gathering chain, fits 800 series. CA550-52-C12E-8. Replaces NI no. 745072.	70246	\$60.10
ANI300	Gathering chain, fits 324, 325, 720, and 730 series. CA550-31-C12E-5. Replaces NI no. 305347.	56145	\$59.50
ANI400	Gathering chain, fits 319, 324, 325, 720, and 730 series. CA550-26-C12E-6. Replaces NI no. 305617.	48644	\$66.92
ANI500	Gathering chain, fits 6500 series. CA550-60-C11E. Replaces NI no. 746608.	54563	\$93.50

Sprockets for Gathering Chain



ORDER NO.	DESCRIPTION	STOCK	RETAIL
A70595084	Lower idler sprocket , 8 tooth, 5/8" bore. Fits 800 & 6500 series. Replaces NI no. 745023.	8386	\$11.97

Snapping Roll Knives and other Cornhead Parts



ORDER NO.	DESCRIPTION	STOCK	RETAIL
K745057	Snapping roll flute, fits all 800 series. 3/roll. Replaces NI no. 745057.	04515	\$22.00

White Farm Equipment/Oliver

Gathering Chain

ORDER NO.	DESCRIPTION	STOCK	RETAIL
AWH100	Gathering chain, Fits 700 series s/n 47001 and up. Replaces WFE no. 31-1689933 or 1689933W1	98552	\$79.84
AWH200	Gathering chain, Fits 700 ser. s/n 47000 and lower. CA550-48-C17E-8. Replaces WFE no. 31-1572073	55931	\$56.50
AMM100	Gathering chain, Fits Oliver and Minn. Moline 500 series & H900 series. CA550-67-C13E11 Replaces 511142E (Moline #)	80743	\$67.26
A311572060	Lower idler sprocket , 8 tooth, 5/8" bore. Fits 700 (s/n 47000 & lower). Replaces WFE no. 31-1572060	08618	\$24.00

Cornhead Gathering Chain Drive Sprockets

ORDER NO.	DESCRIPTION	STOCK	RETAIL
AP199497	Drive Sprocket, heat treated Case-IH 900 - 1000 Series. Replaces Case-IH no. 199497C1.	33015	\$14.75
AP86837081	Drive Sprocket, heat treated, fits Case-New Holland 2200 series. 7 tooth for CA555 chain.	04515	\$22.00
AP85252	Drive Sprocket, heat treated, 8 tooth, fits John Deere 40 & 90 series.	86018	\$15.25
AP71432138	Drive Sprocket, heat treated, fits AGCO Gleaner Hugger heads.	55116	\$16.50
AP70577247	Drive Sprocket, heat treated, fits AGCO Gleaner Orange & Black heads. (1981-1987)	56314	\$19.50



AP85252



AP70577247



AP71391292



AP71432138



AP199497



AAN102448

Cornhead Gathering Chain Idler Sprockets

ORDER NO.	DESCRIPTION	STOCK	RETAIL
AAN102448	AAN102448 (JD) Lower Idler sprocket , 8 tooth, 5/8" bore, sealed bearing. Fits all John Deere 40 series to s/n 466450, also fits 235, 335, 435, and 635. Also fits all Case-IH 800, 900, & 1000 series and New Holland 974 series.	7676	\$10.95
AH101219	AH101219 (JD) Lower Idler sprocket , 8 tooth, 5/8" bore, relube bearing. Fits all John Deere 40 series after s/n 466451, also fits all 90 series.	7388	\$11.95
A263282M1	263282M1 (MF) Lower idler sprocket , 8 tooth, 1/2" bore. Fits most Massey early model heads.	56029	\$29.50
A844076M1	844076M2 (MF) Lower idler sprocket , 8 tooth, 5/8" bore. Fits late model Massey 1100 series heads.	46425	\$35.20
A70595084	70595084 (Agco) Lower Idler sprocket , 8 tooth, 5/8" bore. Fits all AGCO black heads '77 to '89 and NI 800 & 6500 series.	8386	\$11.97
A71359125	71359125 (Agco) Lower Idler sprocket , 8 tooth, 5/8" bore. Fits all AGCO hugger heads 1990 and newer.	02114	\$16.00
A311572060	31-1572060 (WF) Lower idler sprocket , 8 tooth, 5/8" bore. Fits White 700 (s/n 47000 & lower).	08618	\$24.00

Ear Savers for Corn Heads

New! Stronger, tougher design. Made from 5/16" thick material.



ORDER NO.	DESCRIPTION	STOCK	RETAIL
CF166582	Ear saver for all 40 series corn heads. Replaces JD no's H101988, H166582.	0485	\$12.00
CF148222	Ear saver for early 90 series corn heads. Replaces JD no's H14822.	0484	\$12.00
CF82002	Ear saver for John Deere 90 series with poly snouts and 600 series.	0481	\$12.00
CF80652	Ear saver for Case-IH 800, 900, 1000 series and GVL poly head.	0482	\$12.00
CF82045	Ear saver for Case 2200, 2400 and New Holland 996.	0487	\$12.00
CF82625	Ear saver for Caterpillar/ Lexion.	0895	\$14.00
CF80662	Ear saver for center rows. White 700 series and Massey corn heads. Approximately 6 5/8" x 5 1/4". Replaces WFE no. 31-1690090, MF no. 1690090W1.	0487	\$12.00
CF80661	Ear saver for outside row. White 700 series and Massey corn heads. Replaces White no. 31-1690100 and MF no. 1690100W1.	0488	\$12.00

Our earsavers are made of a black, soft, rubber like plastic for longer wear.

Poly Gathering Chain Guard

This UHMW poly guard protects those expensive poly dividers against wear above the gathering chains. Can also be used as a patch where there are holes worn into the poly snout. Sold with screws for attachment. Made of 1/4" thick UHMW poly not 1/8" poly like some other companies.

ORDER NO.	DESCRIPTION	STOCK	RETAIL
CFJDP	Snout guard and repair shield for John Deere corn heads with poly snouts and dividers. Made of 1/4", green UHMW. 2 required per row.	08612	\$24.00
CFIHP	Snout guard and repair shield for center rows on Case-IH corn heads with poly snouts and dividers. Made of 1/4", red UHMW. 2 required per row.	08617	\$24.00
CFIHPO	Snout guard and repair shield for outside rows on Case-IH corn heads with poly snouts and dividers. Made of 1/4", red UHMW. 2 required per row.	02818	\$26.00

Repair Links for Gathering Chain

ORDER NO.	DESCRIPTION	STOCK	RETAIL
A550C	Connecting link for 550 chain.	5716	\$2.50
A550O	Offset link for 550 chain.	0126	\$3.00
A555C	Connecting link for 555 chain.	5717	\$2.50
A555O	Offset link for 555 chain.	0126	\$3.00

Repair Parts for CFC Cornhead Snouts

Complete snouts are no longer available.

ORDER NO.	DESCRIPTION	STOCK	RETAIL
CFPP	Poly snout point - fits all CFC snouts.	05019	\$15.00
CF069	Skid Shoe, Fits IH Wide row center snout, CFC Gleaner snout.	4484	\$12.06
CF070	Skid Shoe, Fits IH narrow center snout, CFC Gleaner outside.	7773	\$11.11
CF068	Skid Shoe, Fits IH outside snouts.	3375	\$10.48
CF9578	Skid Shoe, Fits all CFC John Deere Snouts.	4486	\$12.06